




OPERATING GUIDE

GU 7033 EN D


AUTONOMOUS FLEXICOMPT+

This document sketches out the main menus (please refer to operating manual MU 7033 EN for further information).


USING THE BUTTONS




Come back to the previous stage ●




- Choose the menu option ●
- Display the delivery information



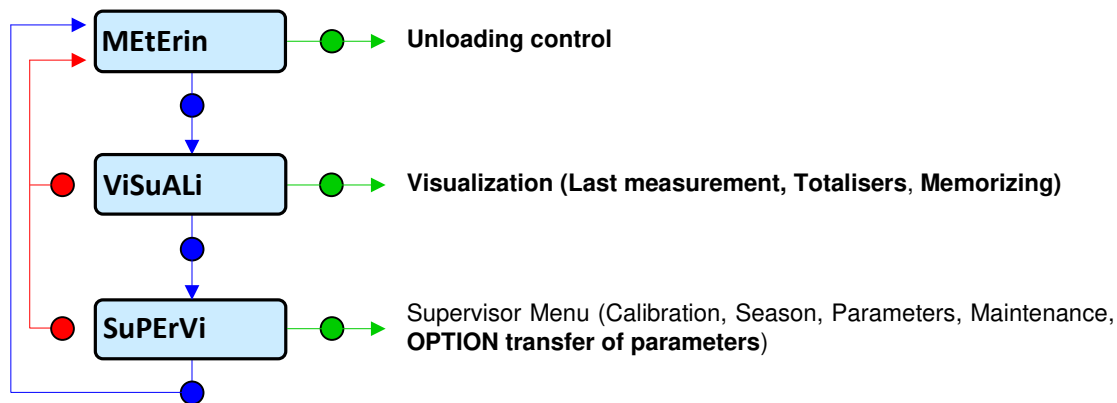
- Validate the displayed option ●
- Validate a fault



Light the display during 10 seconds



Reset the volume and record the last measurement data



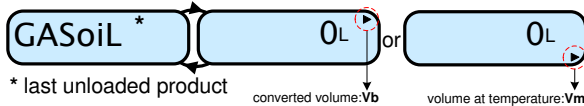
ALMA SERVICES LOCALISATION		
<p>Normandie 76140 PETIT QUEVILLY Tél : +33 (0) 2 35 67 68 96</p> <p>Atlantique 44800 SAINT-HERBLAIN Tél : +33 (0) 2 40 92 25 60</p> <p>Aquitaine 33530 BASSENS Tél : +33 (0) 5 56 37 58 12</p>	<p>Nord 59470 WORMHOUT Tél : +33 (0) 3 28 65 89 90</p> <p>Réunion 97 LE PITON SAINT LEU Tél : +(262) 6 92 33 56 25</p>	<p>Est 67800 HOENHEIM Tél : +33 (0) 3 90 64 65 70</p> <p>Rhône-Alpes 69320 FEYZIN Tél : +33 (0) 4 78 67 53 77</p> <p>Sud-Est 13127 VITROLLES Cedex Tél : +33 (0) 4 42 89 22 23</p>

UNLOAD A PRODUCT

1. CONNECT THE AUTONOMOUS FLEXICOMPT+

- 👉 Install the flexicompt on the compartment valve (respect the slope)
- 👉 Connect the hose between the flexicompt and the reception tank

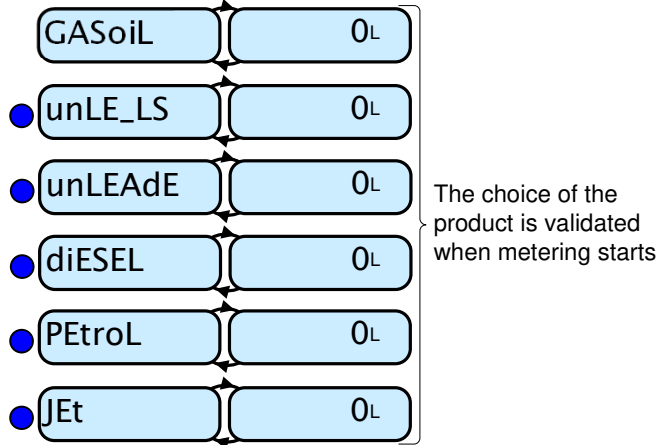
2. PREPARE THE UNLOADING



▲ RESET THE METER



▲ CHOOSE THE PRODUCT

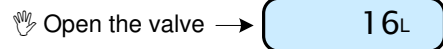
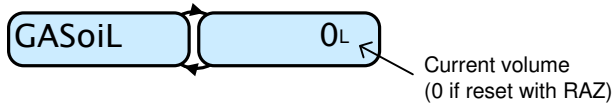


3. CARRY OUT THE UNLOADING

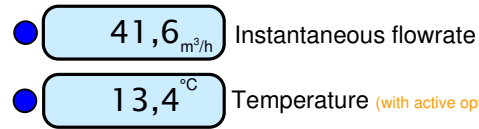


CHECK THE CHOSEN PRODUCT

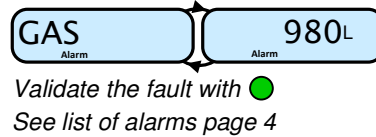
▲ START THE UNLOADING



▲ DISPLAY THE DELIVERY INFORMATION

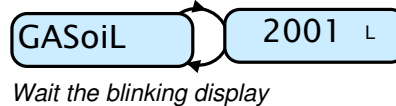


▶ APPEARANCE OF A FAULT AND DISPLAY OF AN ALARM



The unloading may be interrupted by several situations

▶ THE COMPARTMENT IS EMPTY



- 👉 Close the valve → End the unloading (§4)
- Continue with another compartment by moving the flexicompt (§3)

▶ INTENTIONAL INTERRUPTION OF THE UNLOADING

- 👉 The unloading may be interrupted at any time by closing the valve



- 👉 Close the valve → End the unloading (§4)
- Continue with another compartment by moving the flexicompt (§3)

WHAT DO YOU WANT TO DO?

- 1 - Continue with another compartment with the same product (§3)
- 2 - Continue with another compartment with another product: end the unloading (§4) and start a new one (§1)
- 3 - End the unloading: reset the meter (§4), remove the FLEXICOMPT (§5) and end the delivery (§6)

4. FINISH THE UNLOADING OF A PRODUCT

▲ RESET THE METER



5. REMOVE THE AUTONOMOUS FLEXICOMPT+

- 👉 Disconnect the hose between the FLEXICOMPT and the reception tank
- 👉 Remove the FLEXICOMPT from the compartment valve

6. END THE DELIVERY

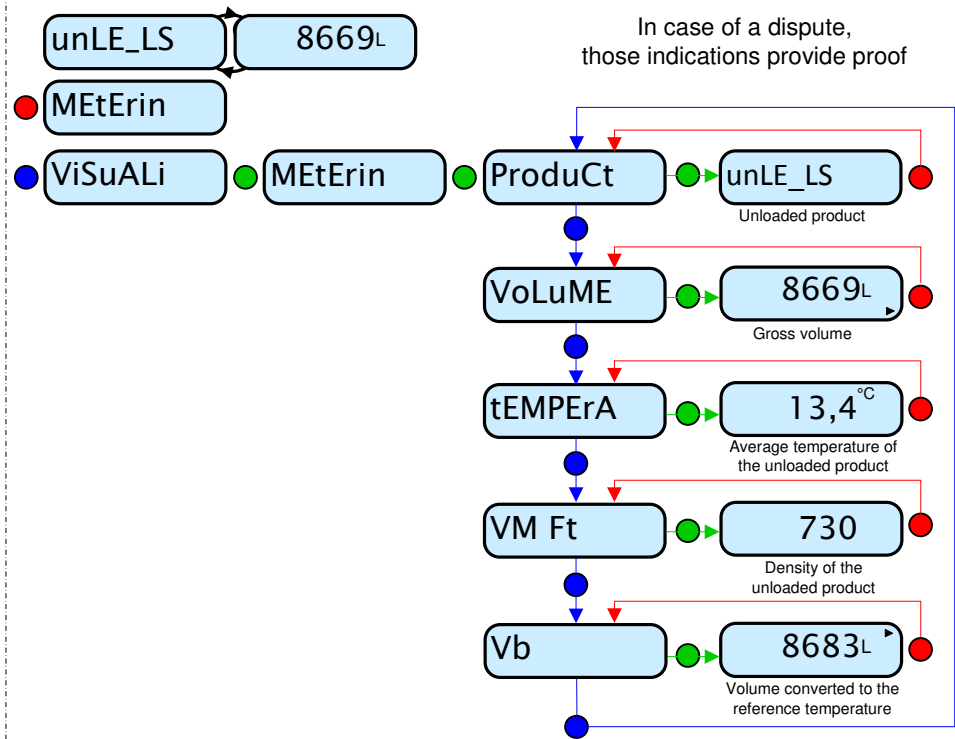
- 👉 Clean the filter if necessary
- 👉 Put back the FLEXICOMPT in its box

MEANING OF SYMBOLS

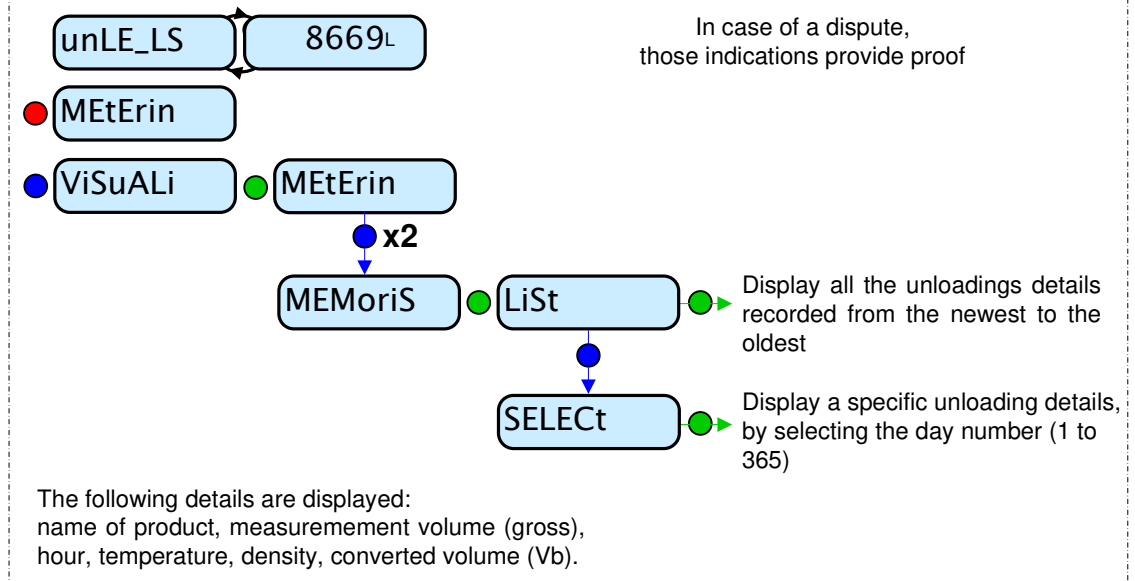
- ▲ Mandatory action
- ▲ Optional action
- ▶ Event during delivery
- 👉 Action by operator

DISPLAY THE UNLOADING DATA

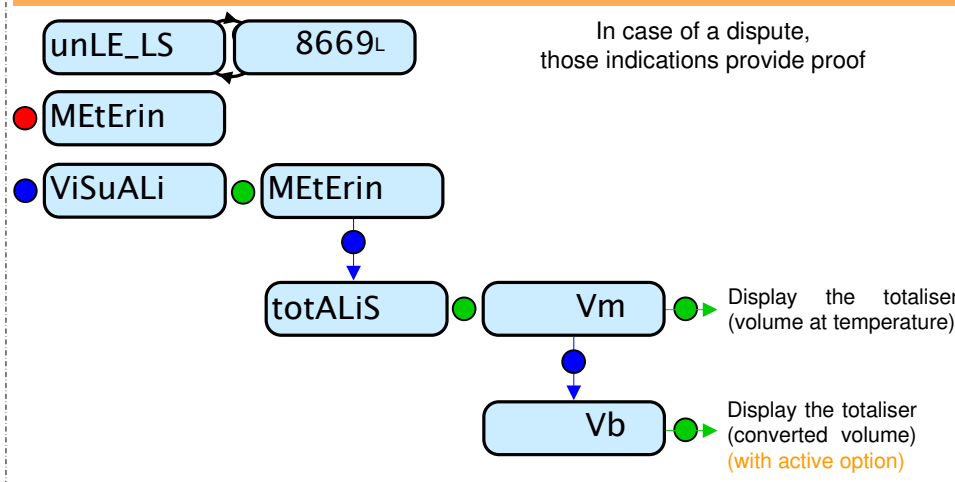
VISUALIZATION OF THE LAST UNLOADING RESULTS



VISUALIZATION OF ALL THE UNLOADINGS RESULTS



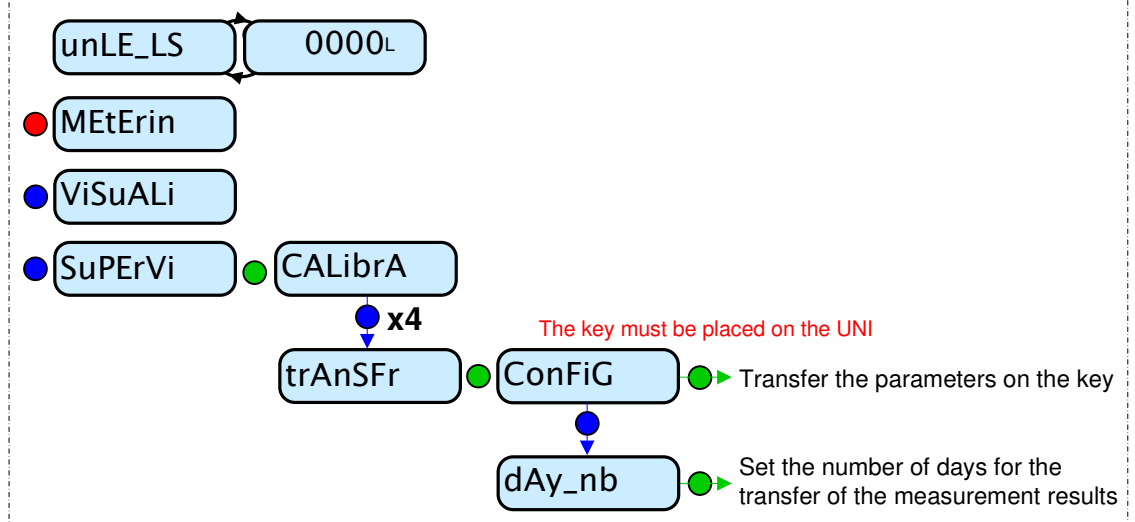
VISUALIZATION OF THE TOTALISERS



*OPTION IR-USB KEY: TRANSFER THE MEASUREMENT RESULTS



*OPTION IR-USB KEY: TRANSFER THE PARAMETERS



LIST OF ALARMS

	DISPLAY	MEANING	ACTION
USER	oVERFlo	Volume greater than 9 999 999 liters	Reset the device
	LoW_FLo	Flow rate less than the setting minimal flow rate	Check the hydraulic configuration and the flowing
	SEnSor1	High gas detector fault (GDh)	Use the maintenance menu to check the status of the detector
	SEnSor2	Low gas detector fault (GDI)	Use the maintenance menu to check the status of the detector
REPARATOR	FLoV_	Flow setting fault	Check the parameters
	FrEQ_	Frequency fault	Check the parameters
	COEFF_	Difference two coefficients is greater than 0,5%	Check the coefficients setup
	MEtEr	Problem of metering with the meter	Check the setup
	HiGH_FL	Flow rate greater than the setting maximal flowrate	Check the setup
	dAtE	Loss of date and time	Set date and time in metrological mode
	GAS	GDh is wet but GDI is dry	Check the hydraulic configuration / Check the detector status
	bobinE	Loss of pulse transmitter signal	Check the link with the pulse transmitter
	LF_HiGH	Flow rate greater than 20m ³ /h when GDh is dry	Vérifier la configuration hydraulique / Vérifier l'état du détecteur
	tEMPErA	Temperature less than -20°C or greater than 50°C	Check the temperature sensor (measure and calibration)
	diSPLAY	LCD display fault	If steady alarm, substitution of the UNI
	doG	Fault with display card	If steady alarm, substitution of the UNI
	ProGrAM	Checksum program fault	If steady alarm, substitution of the UNI
	rAM	Saved memory fault	If steady alarm, substitution of the UNI
	MEMoriS	Error on SIM memorization	Substitution of the backup battery
	FuLL	SIM memory full	If steady alarm, substitution of the UNI
	Metro_	Configuration loss	If steady alarm, substitution of the UNI
	bAttErY	Battery fault	Substitution of the backup battery
	totAL_	Totaliser fault	Substitution of the backup battery
dEF_MEM	Loss of backup data concerning the last measurement	If steady alarm, substitution of the UNI	
dEF_CoM	Communication fault with MPLS (MPLS option)	Check the link with the MPLS (with MPLS option)	